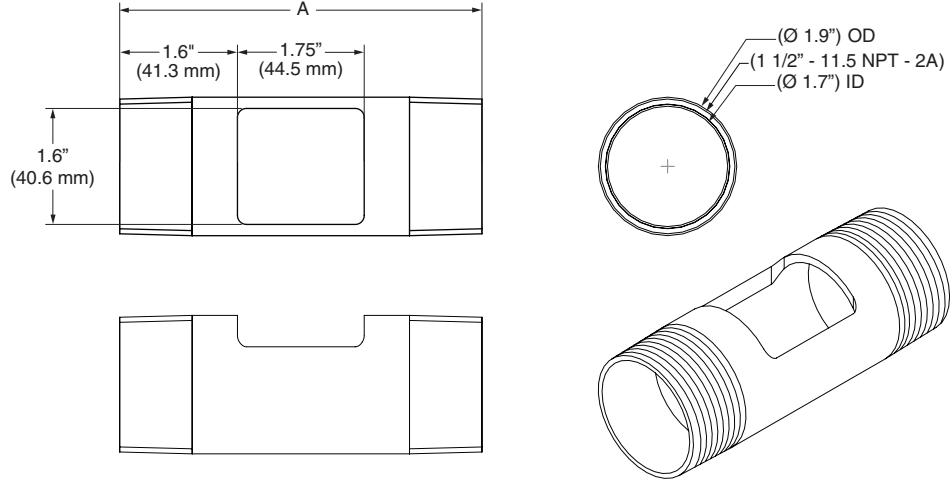


Specifications — PMP Series

General

Maximum load capacity..... 200 lbs
 Material Steel
 Pipe diameter..... 1.5" (3.8 mm) o.d., 11.5 NPT threads



Pipe lengths ("A" in the above illustration)

PMP 2..... 2.0" (51 mm)
 PMP 4..... 4.0" (102 mm)
 PMP 6..... 6.0" (152 mm)
 PMP 10..... 10.0" (254 mm)
 PMP 12..... 12.0" (305 mm)
 PMP 18..... 18.0" (457 mm)
 PMP 24..... 24.0" (610 mm)

Product weights

PMP 2..... 0.3 lbs (0.1 kg)
 PMP 4..... 0.7 lbs (0.3 kg)
 PMP 6..... 1.0 lbs (0.5 kg)
 PMP 10..... 2.1 lbs (0.9 kg)
 PMP 12..... 2.3 lbs (1.0 kg)
 PMP 18..... 3.6 lbs (1.6 kg)
 PMP 24..... 4.6 lbs (2.1 kg)

Shipping weights

PMP 2..... 1 lb (1 kg)
 PMP 4..... 1 lb (1 kg)
 PMP 6..... 2 lbs (1 kg)
 PMP 10..... 3 lbs (2 kg)
 PMP 12..... 3 lbs (2 kg)
 PMP 18..... 5 lbs (2 kg)
 PMP 24..... 6 lbs (3 kg)

Vibration ISTA 1A in carton (International Safe Transit Association)

Listings..... UL, CUL

Compliances..... CE

Warranty 3 years parts and labor

NOTE Specifications are subject to change without notice.

(7.53-101907-D2)